

G1300GL Million Lock Glass Door Cam Lock

Features

- For single door application
- When turning reversible key clockwise by 360°, cam rotates by 90°
- Key is removable in locked and unlocked positions
- Master key system available on request (max. 2,520 key changes per master key)

Notes

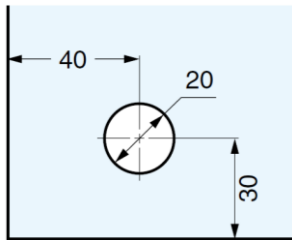
- Cam direction is not changeable

Parts Included

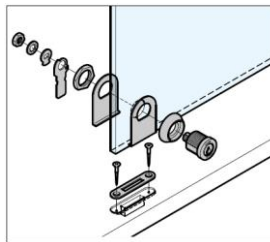
- Countersunk head wood screw 2.7×13 (SUS)



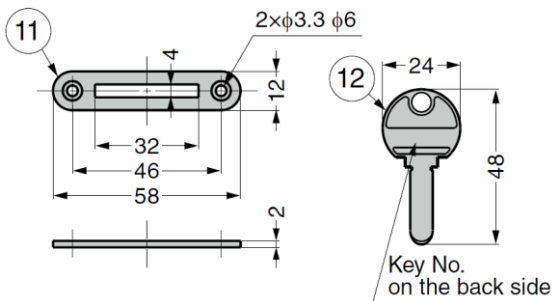
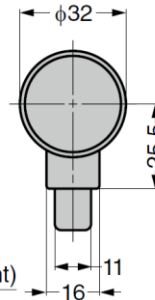
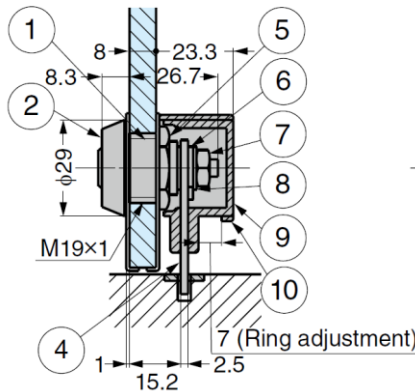
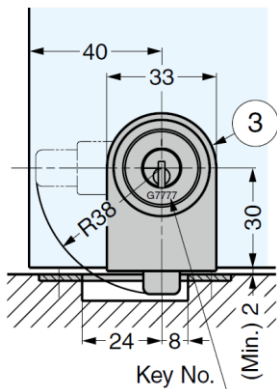
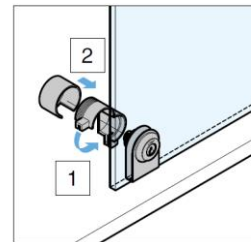
Cut Out Dimensions



Installation



How to Install ⑨ Cover & ⑩ Ring



No.	Part Name	Material	Finish/Colour
①	Body	Brass	Satin Nickel
②	Ring		
③	Plate	Stainless Steel (SUS304)	Polished
④	Cam		Plain
⑤	Hex Nut	Steel (SS)	Special Anti-rust Painting/Silver
⑥	Cam	Brass	Nickel
⑦	Hex Nut	Steel (SS)	Special Anti-rust Painting/Silver
⑧	Washer	Steel	
⑨	Cover	PP	Black
⑩	Ring		
⑪	Strike	Stainless Steel (SUS304)	Polished
⑫	Key	Brass	Nickel

Part No.	Key Type	Door Thickness
G1300GL-D	Keyed Alike	5 ~ 8
G1300GL-B	Keyed Differently	